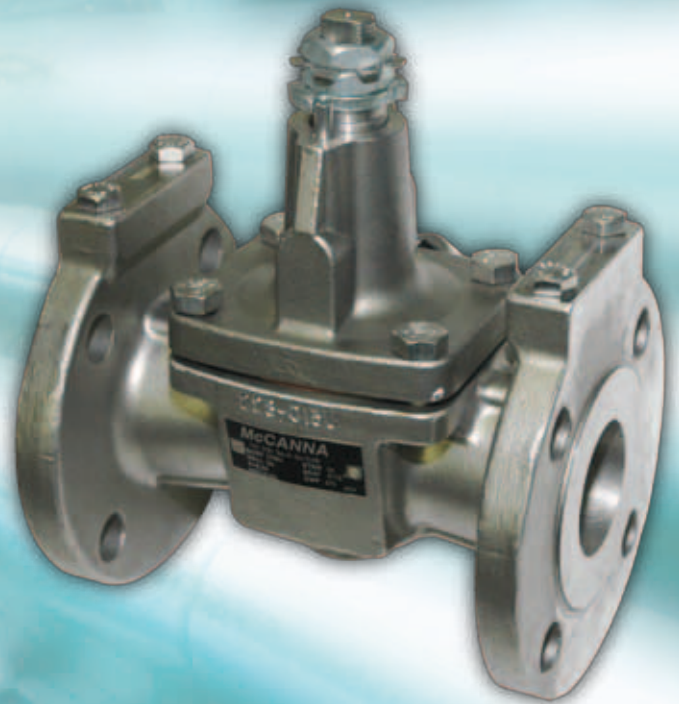
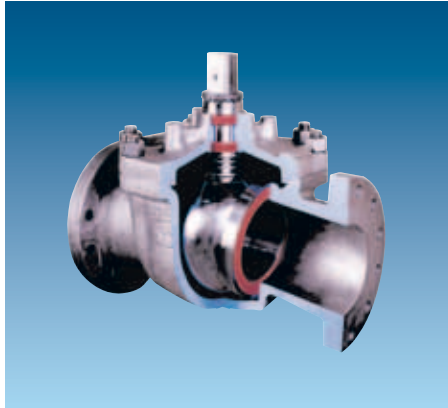


McCANNA / MARPAC Catalog



McCANNA Top Entry



Features

- Top entry design ball valve
- ASME class 150-1500 design
- Meets ASME B16.34 requirements (consult pressure/temperature charts)
- “Wedge” seat design
- Multiple body and trim materials
- Multiple soft and metal seat options
- Bi-directional sealing
- Multiple bonnet options
- Cryogenic option
- Special service applications: UL, API 607, PTA, chlorine and other special service approvals

Sizes

- ½" - 20"
- RF flanged
- Screwed end
- Socket weld
- Butt weld and others

Standards

- ASME B16.34
- S.E. to ASME B 1.20.1
- S.W. to ASME B 16.11
- API 607 fire test

Get more information:

Product catalog:
MMABR1016

IOMs

MMAIM2007, MMAIM2008

Valve Sizing Manual
MMASS0008-00

MARPAC Petro E790



Features

- 3-piece swing out double union end
- CWP pressure rating to 4500 psi
- Meets MSS-SP-99/61 requirements
- Seat retainer design allows for bench testing in the field before installation
- Multiple soft seat options
- Tight shut off and bi-directional sealing
- Forged construction

Sizes

- ¼" - 2"
- Screwed end
- Socket weld
- Other end connections available

Standards

- NACE
- API 607 fire test
- UL

Get more information:

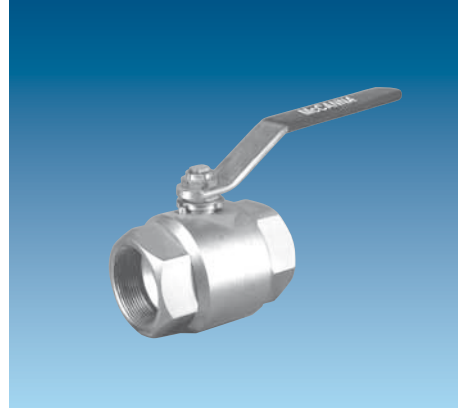
Product catalog:
MMABR1022

IOM

MMAIM2002

Valve Sizing Manual
MMASS0008-00

MARPAC McCannflo F602



Features

- Forged bar 2-piece construction
- 3 body designs for instrument use
- Double sealed, back seated stem design
- Fire safe version
- Multiple materials available
- Anti-static live loaded stem build
- CWP pressure rating to 1500 psi

Sizes

- F602 ¼"-2"
- Gauge and compressor - see product catalog

Standards

- API 607 fire test
- NACE

Get more information:

Product catalog:
MMABR1008

IOMs

MMAIM2006

Valve Sizing Manual
MMASS0008-00

MARPAC TriPac E325/525



Features

- 3-piece forged swing out design
- CWP pressure rating up to 3000 psi
- Tight shut-off
- Anti-static rugged stem build
- Multiple soft seat options
- Pre-drilled mounting holes for actuation

Sizes

- 1/4" - 2"
- CS and SS body materials

Standards

- ASME B16.34
- API 607 fire test

Get more information:

Product catalog:
MMABR1019

IOMs

MMAIM2003

Valve Sizing Manual

MMASS0008-00

MARPAC Series B780 WOG



Features

- Cast general purpose valve
- 2-piece body
- WOG 2000 psi rating
- Temperatures up to 450°F
- Carbon and stainless body materials

Sizes

- 1/4"-2"

Standards

- N/A

Get more information:

Product catalog:
MMABR1013

IOMs

MMAIM2009

Valve Sizing Manual

MMASS0008-00

MARPAC J Series



Features

- Unibody and split-body design
- Regular and full port design
- Custom and ISO 5211 mounting (FP)
- Wide variety of body, seat and seal materials means dependable, high cycle control on steam, petroleum products, chemicals and abrasive liquids
- Cavity filled designs

Sizes

- 1/2" to 10" - see product catalog
- ASME 150# and 300# class

Standards

- API 6D
- API 607 4th Edition
- NACE MRO1-75

Get more information:

Product catalog:
MMABR1006

IOMs

MMAIM2011, MMAIM2012

Valve Sizing Manual

MMASS0008-00



Flowserve Corporation
 Flow Control
 1978 Foreman Drive
 Cookeville, Tennessee 38501
 USA
 Phone: +1 931 432 4021
 Fax: +1 931 432 3105
 www.flowserve.com

FCD MMENBR0001-00 10/11 Printed in USA.

To find your local Flowserve representative:

For more information about Flowserve Corporation, visit www.flowserve.com or call USA 1 800 225 6989

Flowserve Corporation has established industry leadership in the design and manufacture of its products. When properly selected, this Flowserve product is designed to perform its intended function safely during its useful life. However, the purchaser or user of Flowserve products should be aware that Flowserve products might be used in numerous applications under a wide variety of industrial service conditions. Although Flowserve can (and often does) provide general guidelines, it cannot provide specific data and warnings for all possible applications. The purchaser/user must therefore assume the ultimate responsibility for the proper sizing and selection, installation, operation, and maintenance of Flowserve products. The purchaser/user should read and understand the Installation Operation Maintenance (IOM) instructions included with the product, and train its employees and contractors in the safe use of Flowserve products in connection with the specific application.

While the information and specifications contained in this literature are believed to be accurate, they are supplied for informative purposes only and should not be considered certified or as a guarantee of satisfactory results by reliance thereon. Nothing contained herein is to be construed as a warranty or guarantee, express or implied, regarding any matter with respect to this product. Because Flowserve is continually improving and upgrading its product design, the specifications, dimensions and information contained herein are subject to change without notice. Should any question arise concerning these provisions, the purchaser/user should contact Flowserve Corporation at any one of its worldwide operations or offices.

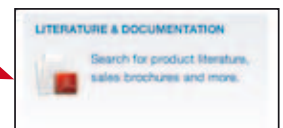
© 2010 Flowserve Corporation, Irving, Texas, USA. Flowserve is a registered trademark of Flowserve Corporation.

To Access Literature Online

Every item in this catalog has a brochure containing a great deal of technical product detail. It's easy to find... it's free... and you do not need a password.

Do This:

- 1 Go to www.flowserve.com
- 2 Click in the box that says "Literature & Documentation"



- 3 Enter:
 - Keyword or literature number
 - Or filter your search



- 4 Click on "Search"

The most recent version of each product bulletin will be available on this site.

Once you have the PDF, you can:

- read it
- print it
- download it
- e-mail it