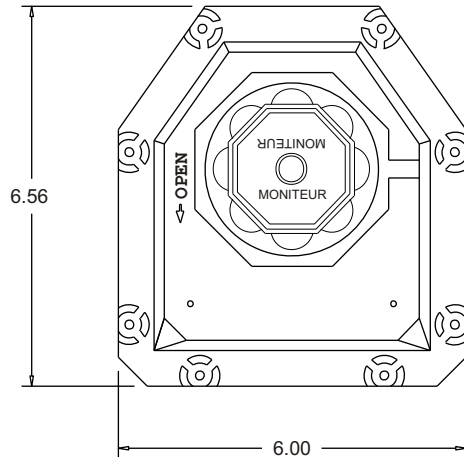


### Dimensions

### Top View



### NAMUR STD.

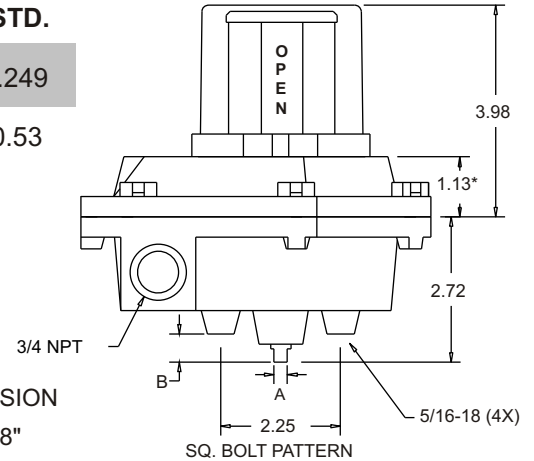
A	0.156	0.249
B	0.62**	0.53



\* - FLAT COVER DIMENSION

\*\* - LONG NAMUR = 1.28"

### Side View



### General Specifications

Nema Rating	4, 4x, 7, 9
Housing / Cover	Aluminum
Indicator Cover	Ektar
Seals	BUNA-N
Fasteners	Stainless Steel
Terminal Points	8 to 26 max.
Weight	4.25 lbs.
Operating Temp.	-40° F to 175° F
Agency Approvals	UL and CSA

### How To Specify

Valve position transmitter shall be Moniteur model \_\_\_\_\_. Enclosure shall be aluminum with a polyurethane coating and rated Nema 4, 4x, 7, 9. Visual indicator shall have 100% display change, 360° visibility and full set point adjustability. Indicator cover shall be free of decals or paint and sealed with an O-ring. Enclosure shall have captive cover bolts. Enclosure shaft shall be attached to the housing with an internal stainless steel locking ring, environmentally protected with an O-ring. The switch/sensor type shall be \_\_\_\_\_. All switches and terminals must be enclosed and marked for identification. Terminal strip must be angle-mounted for easier installation.

### Hazardous Area Ratings

**Mechanical Switches:** Class 1, Division 1 & 2, Groups C & D, Class 2, Division 1 & 2, Groups E, F, G  
**TTL Switches:** same as for mechanical, plus Class 1, Division 2, Groups A & B

### Intelligent Part Numbering System - place your part number in the boxes below



Description	Code	Description	Code	Description	Code
Series: Sentinel	A	Shaft		Conduit Connection	
Moniteur		Standard 303 SS	1	2 - 3/4" F NPT	0
With Indicator	M	Standard 316 SS	3	3 - 3/4" F NPT	5
Flat Cover	F	Low Profile NAMUR 303 SS	5	2 - 3/4" F NPT + 1 - 1/2" F NPT	6
Indicator Type (open/closed)		Low Profile NAMUR 316 SS	7	1 - 3/4" F NPT + 1 - 1/2" M NPT	8
No Indicator (Flat Cover)	N	NAMUR 303 SS	E		
Black / Yellow (Standard)	Y	NAMUR 316 SS	G	<b>Options</b>	
Green / Red	A			Transmitter 4 - 20mA	- 420
Red / Green	C	<b>Switch/Sensor Package (Switch Code / Quantity)</b>		Potentiometer 0 - 1k	- 1K
0-100% Digital	P	(2) Mechanical SPDT 15A-250VAC w/8 Pt TS	12	Hard Anodized Enclosure	X14206
3-Way Path O (90 degree)	O	(4) Mechanical SPDT 15A-250VAC w/14 Pt TS	14	All Viton Seals	-V
3-Way Path T (90 degree)	T	(6) Mechanical SPDT 15A-250VAC w/26 Pt TS	16	12 Terminal Points	-12T
3-Way Path F (90 degree)	F	(2) Mechanical SPDT 0.5A-125 VDC w/8 Pt TS	C2	16 Terminal Points	-16T
4-Way Path S (90 degree)	S	(2) PRISM SPDT Gold Plated 1A-24VDC w/8 Pt TS	32	26 Terminal Points	-26T
180 degree T-port	1	(2) ITW Mechanical DPDT 10A-250VAC w/14 Pt TS	42	High Temperature	-HT
180 degree L-Port - OcOc	5	(4) ITW Mechanical DPDT 10A-250VAC w/26 Pt TS	44		
180 degree L-Port - OOoc	6	(2) Tungsten TTL Prox 3A-125 VAC w/8 Pt TS	22	Contact Moniteur for additional	
ANSI Green / White	G	(4) Tungsten TTL Prox 3A-125 VAC w/14 Pt TS	24	option codes and custom	
ANSI Blue / White	B	(6) Tungsten TTL Prox 3A-125 VAC w/26 Pt TS	26	requirements	
ANSI Red / White	R	(2) Rhodium TTL Prox 1A-24VDC w/8 Pt TS	T2		
Bearing		(4) Rhodium TTL Prox 1A-24VDC w/14 Pt TS	T4		
Bronze w/Loc-Ring	B	(6) Rhodium TTL Prox 1A-24VDC w/26 Pt TS	T6		
303 Stainless w/Loc-Ring	S	(2) P&F NJ2-V3-N, NAMUR w/8 Pt TS	82		
		(4) P&F NJ2-V3-N, NAMUR w/14 Pt TS	84		
		(2) P&F NBB2-V3-US, 2-wire AC/DC w/8 Pt TS	Q2		