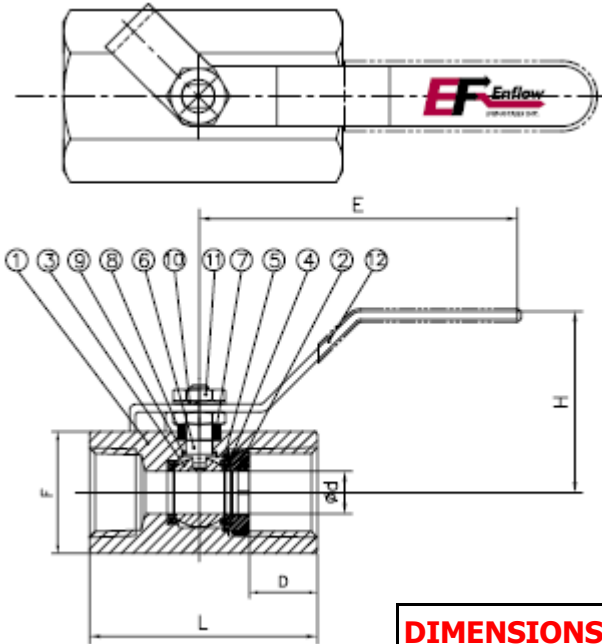


**Enflow E1 SERIES 1 Piece Forged Body ASME B16.34.**

- **2000 WOG, Reduced Bore and Lever Operated Ball Valves.**

Available with LATCH LOCKING HANDLE (not shown)



MATERIALS OF CONSTRUCTION		
1	BODY	A105N, LF2, F316
2	SEAT RETAINER	A105N, LF2, F316
3	BALL	SS316
4	SEAT	PTFE
5	GASKET	PTFE
6	STEM	SS316
7	GLAND	STAINLESS STEEL
8	PACKING	PTFE
9	THRUST WASHER	PTFE
10	SPRING WASHER	STAINLESS STEEL
11	NUT	CARBON STEEL
12	HANDLE	CARBON STEEL

DIMENSIONS									
SIZE	1/4"	3/8"	1/2"	3/4"	1"	1-1/4"	1-1/2"	2"	
∅d	5	7	9.2	12.5	16	20	24.5	32	
L	43.2	47.2	62.5	69.9	85.9	93.7	101.6	114.3	
E	66.7	66.7	118	118	120	146	146	152	
H	31.8	33.9	55.5	59	65.4	74	78.7	120	
D	12	12.2	17.4	22.3	25.5	27.8	29.6	29.4	
F	21	25.4	30	36	46	55	61	75	

**E1 SERIES**

**2000 PSI 1/4" to 2"**

- **REDUCED PORT**
- **NPT X NPT**
- **ONE PIECE BODY**
- **BLOW OUT PROOF STEM**
- **ADJUSTABLE PACKING**
- **NACE COMPLIANT**
- **TEST API 598**

**VALVE SEAT PRESSURE - TEMPERATURE RATING**

