

Bolted Body Ball Valve

Series E3

3 Piece Bolted Body



Features:

- In Line Repairable
- Blow Out Proof Stem
- ISO – 5211 Mounting Pad
- Locking Device

Designed for Full Compliance to:

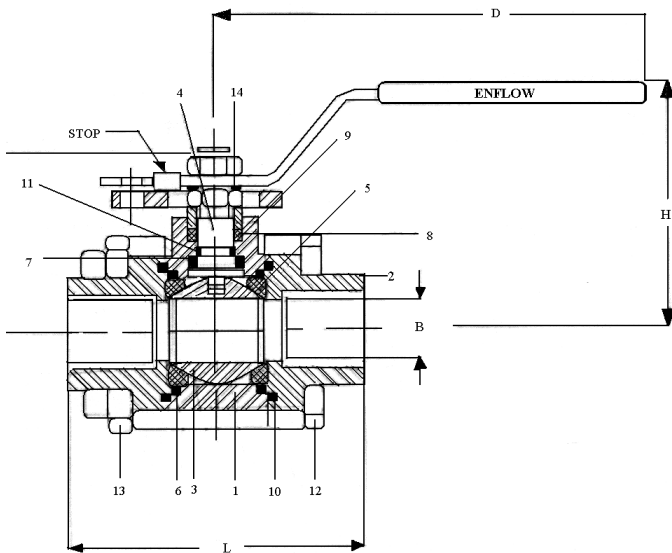
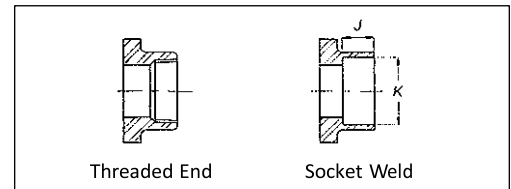
- NACE MR0175
- ANSI B16.34
- Fire Safe – API 607 4th Edition

E 3 Series

Enflow 3 Piece Bolted Body.

- 2000 WOG Investment Cast Carbon Steel Lever Operated Ball Valve.
- NPT x SW

Port	NPT	SW	NPT x SW
Full Port	E3CF20WN	E3CF20WS	E3CF20WNS
Reg. Port	E3CR20WN	E3CR20WS	E3CR20WNS



Item No.	Part Name	Material
1	BODY	WCB, LF2, CF8M
2	ADAPTER	WCB, LF2, CF8M
3	BALL	ASTM A182 F316
4	STEM	ASTM A182 F316
5	SEAT	MPTFE
6	GASKET	MPTFE
7	STEM SEAL	MPTFE
8	PACKING SEAL	GRAPHOIL
9	PACKING RING	STAINLESS STEEL
10	GASKET	GRAPHOIL
11	O-RING	VITON, HNBR
12	BOLT	B7 / L7M
13	NUT	2H / 7M
14	LOCK WASHER	STAINLESS STEEL

Pressure Rating:

- MAX 2000 PSI WOG at -29°F to 100°F (non shock) and 150 PSI Saturated Steam

Temperature Rating:

- -29°F to 450°F (depending on pressure)

Test Pressure:

- Seat: AIR 100 PSI
- Seat: Hydrostatic 2200 PSI
- Body: Hydrostatic 3000 PSI

Size	TORQUE Max. Breakaway Torque (in lbs.)			
	CV VALUES: US GPM/1 PSI DROP			
	Full Port		Reg. Port	
	Torque	CV	Torque	CV
1/4"	35	8.0	35	8.0
3/8"	35	8.0	35	8.0
1/2"	60	21.0	35	8.0
3/4"	120	28.0	60	21.0
1"	180	45.5	110	28.0
1 1/4"	210	73.0	180	45.5
1 1/2"	240	102.0	210	73.0
2"	350	200.0	340	102.0

Size	Unit	Full Port								Net Wt.	Reg. Port								Net Wt.
		B	L	Y	H	D	K	J	B		L	Y	H	D	K	J			
1/4"	in.	0.39	2.48	1.49	2.36	5.05	0.56	0.44	0.39	2.48	1.49	2.36	5.05	0.55	0.44	0.08	0.8		
8	mm	10	63	38	60	128	14.1	11.18	10	63	38	60	128	14.1	11.18	0.8	0.8		
3/8"	in.	0.39	2.48	1.49	2.36	5.08	0.69	0.44	0.39	2.48	1.49	2.36	5.05	0.69	0.44	0.8	0.8		
10	mm	10	63	38	60	128	17.52	11.18	10	63	38	60	128	17.52	11.18	0.8	0.8		
1/2"	in.	0.5	2.52	1.89	2.67	5.25	0.85	0.44	0.5	2.52	1.89	2.67	4.96	0.85	0.44	0.9	0.9		
15	mm	12.7	64	48	68	133	21.72	11.18	12.7	64	38	68	126	21.72	11.18	0.9	0.9		
3/4"	in.	0.75	3.74	2.36	3.15	5.47	1.06	0.56	0.5	2.75	1.81	2.56	4.96	1.06	0.56	1.8	1		
20	mm	19.1	95	60	80	139	27.05	14.22	12.7	70	46	65	126	27.05	14.22	1.8	1		
1"	in.	1	4	2.67	3.35	5.51	1.33	0.72	0.75	3.74	2.36	3.15	5.82	1.33	0.72	2.1	2		
25	mm	25.4	102	68	85	140	33.78	18.29	19	95	60	80	148	33.78	18.29	2.1	2		
1 1/2"	in.	1.5	5.07	4.09	4.33	7.48	1.91	0.72	1.26	4.52	3.31	3.78	7.48	1.91	0.72	4.5	3.8		
40	mm	38.1	129	111	110	190	48.64	18.29	32	115	84	96	190	48.64	18.29	4.5	3.8		
2"	in.	2	5.51	4.09	4.92	7.87	2.4	0.84	1.5	4.92	3.58	4.33	7.48	2.4	0.84	6.5	4.9		
50	mm	50.8	140	104	125	200	61.11	21.33	38.1	125	91	110	190	61.11	21.33	6.5	4.9		

Due to continuous development of our products, we reserve the right to modify our product design or construction without prior notice.